



**DOWNLOAD COLOUR
INSTALL MANUALS AT
www.bddiesel.com**



Exhaust Manifold

Ford 6.7L Power Stroke F250-550

1043005	Passenger Side Manifold Only 2011-2014 F250/F350/F450 Pickup 2011-2016 F350/F450/F550 Cab & Chassis
1043006	Drivers Side Manifold Only 2011-2019 Pickup / Cab & Chassis
1043007	Exhaust Manifolds Pair 2011-2014 F250/F350/F450 Pickup 2011-2016 F350/F450/F550 Cab & Chassis
1043008	Exhaust Manifolds Pair 2015-2019 F250/F350/F450 Pickup 2017-2019** F350/F450/F550 Cab & Chassis
1043009	Passenger Side Manifold Only 2015-2019 F250/F350/F450 Pickup 2017-2019** F350/F450/F550 Cab & Chassis

1043007 fits on **early** model trucks that came with the smaller GT32 turbo.


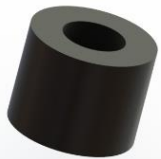


1043008 fits on **late** model trucks that came with the larger GT37 turbo.






1045824 & 1045825 Turbo Retrofit kits use 1043007. 1045827/1045828 Screammers use 1043008.

This kit only includes the gaskets in contact with the exhaust manifold. Additional gaskets, including the turbo mounting gasket (BC3Z-6587-A), are not included and may be purchased through your local Ford dealer.

Kit Contents






1043005 Passenger Side Manifold 2011-2014 F250/F350/F450 Pickup 2011-2016 F350/F450/F550 Cab & Chassis

1403007	1403009	FT-11141221	BC3Z-9E464-E
			
Manifold; Passenger Side 11-14	Spacer; Ford 6.7 Manifold	Nut; M8x1.25 Lock Flange	Gasket; Manifold to EGR
Qty: 1	Qty: 8	Qty: 11	Qty: 1


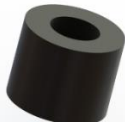

FT-10910-03772	FT-1462432	1405901	BC3Z-6N640-A	1462433
				
Stud; M8x1.25x35	Stud; M8x1.25x50	Gasket; Exhaust Manifold	Gasket; Cross Over Pipe	Stud Install Tool; M8x1.25
Qty: 3	Qty: 8	Qty: 1	Qty: 1	Qty: 1






1043006 (2011-2019) Driver Side Manifold Only

1403006	1403009	FT-11141221
		
Manifold; Driver Side 11-19	Spacer; Ford 6.7 Manifold	Nut; M8x1.25 Lock Flange
Qty: 1	Qty: 16	Qty: 19

FT-10910-03772	FT-1462432	1405901	BC3Z-6N640-A	1462434
				
Stud; M8x1.25x35	Stud; M8x1.25x50	Gasket; Exhaust Manifold	Gasket; Cross Over Pipe	Stud Install Tool; M8x1.25
Qty: 3	Qty: 16	Qty: 1	Qty: 1	Qty: 1






1043007 Manifold Pair (2011-2014 F250/F350/F450 Pickup) (2011-2016 F350/F450/F550 Cab & Chassis)	
1403006	1403007
	
Manifold; Drivers Side 11-19	Manifold; Passenger Side 11-14
Qty: 1	Qty: 1

BC3Z-9E464-E	1403009	FT-11141221
		
Gasket; Manifold to EGR	Spacer; Ford 6.7 Manifold	Nut; M8x1.25 Lock Flange
Qty: 1	Qty: 16	Qty: 22






FT-10910-03772	FT-1462432	1405901	BC3Z-6N640-A	1462434
				
Stud; M8x1.25x35	Stud; M8x1.25x50	Gasket; Exhaust Manifold	Gasket; Cross Over Pipe	Stud Install Tool; M8x1.25
Qty: 6	Qty: 16	Qty: 2	Qty: 2	Qty: 1

1043008 Manifold Pair (2015-2019 F250/F350/F450 Pickup) (2017-2019 F350/F450/F550 Cab & Chassis)	
1403006	1403008
	
Manifold; Drivers Side 11-19	Manifold; Passenger Side 15-19
Qty: 1	Qty: 1

BC3Z-9E464-E	1403009	FT-11141221
		
Gasket; Manifold to EGR	Spacer; Ford 6.7 Manifold	Nut; M8x1.25 Lock Flange
Qty: 1	Qty: 16	Qty: 22

FT-10910-03772	FT-1462432	1405901	BC3Z-6N640-A	1462434
				
Stud; M8x1.25x35	Stud; M8x1.25x50	Gasket; Exhaust Manifold	Gasket; Cross Over Pipe	Stud Install Tool; M8x1.25
Qty: 6	Qty: 16	Qty: 2	Qty: 2	Qty: 1

1043009 Passenger Side Manifold (2015-2019 F250/F350/F450 Pickup) (2017-2019 F350/F450/F550 Cab & Chassis)				
1403008	1403009	FT-11141221	BC3Z-9E464-E	
				
Manifold; Drivers Side 11-14	Spacer; Ford 6.7 Manifold	Nut; M8x1.25 Lock Flange	Gasket; Manifold to EGR	
Qty: 1	Qty: 8	Qty: 11	Qty: 1	

FT-10910-03772	FT-1462432	1405901	BC3Z-6N640-A	1462433
				
Stud; M8x1.25x35	Stud; M8x1.25x50	Gasket; Exhaust Manifold	Gasket; Cross Over Pipe	Stud Install Tool; M8x1.25
Qty: 3	Qty: 8	Qty: 1	Qty: 1	Qty: 1

Introduction

The BD performance exhaust manifold has 75% thicker than OEM walls and is machined with a thicker bolting flange to improve service life at high temperatures.

The thicker bolting flange can be used with OEM studs and spacers, but it is recommended to use the included longer studs and spacers.

Installation/Torque Specifications

Remove all OEM studs from the head and clean all surfaces prior to installation.

Be sure to keep debris from falling into the exhaust runners and potentially causing engine damage.

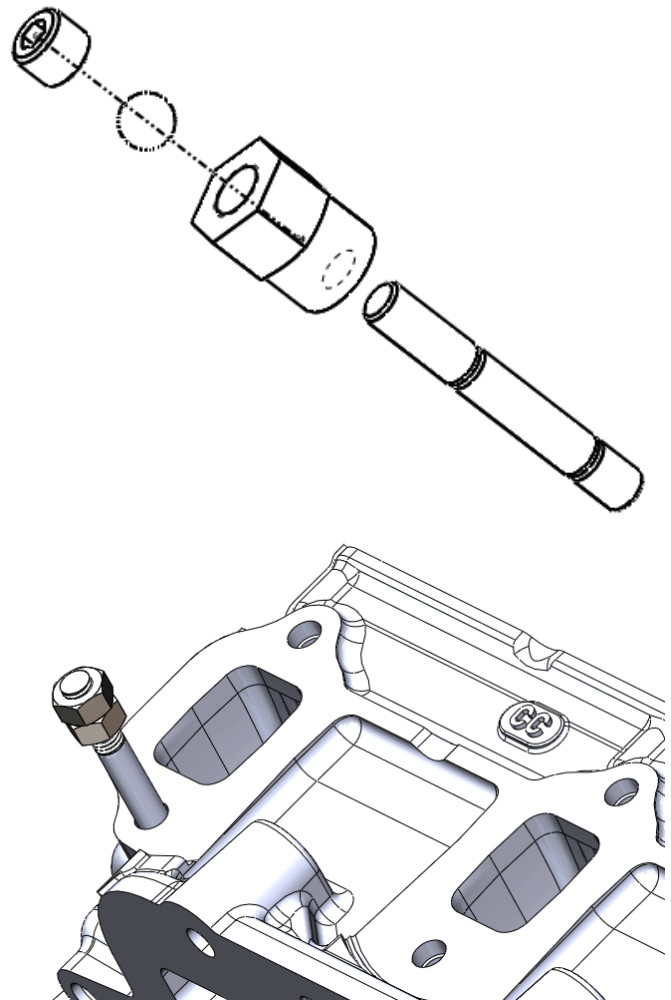
Use the provided stud install tool (**1462434**) to fully thread in and torque all M8 studs.

Install and torque new M8x1.25x50 studs (**FT-1462432**) into the head.

Thread the shorter end into the head.

Torque to **9.5 ft-lbs (115 in-lbs) dry**.

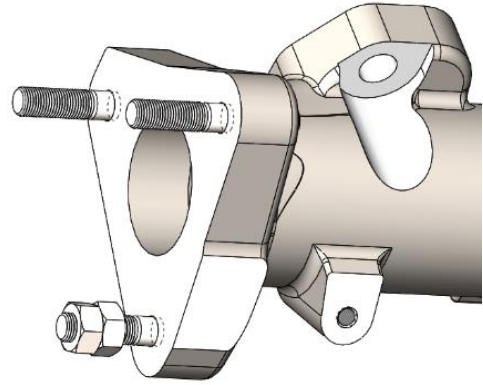
If penetrating fluid is present in the thread, reduce the torque specification by 40% (**9.5ftlbs dry = 5.7ftlbs lubricated**).



Install and torque new M8x1.25x35 studs (FT-10910-03772) into the end of the manifold.

Thread the shorter end in first.

Torque to **9.5 ft-lbs (115 in-lbs) dry**.



Install the manifold gasket (1405901) and longer BD spacers (1403009) and locking flange nuts (FT-11508940). Torque the manifold using the following sequence:

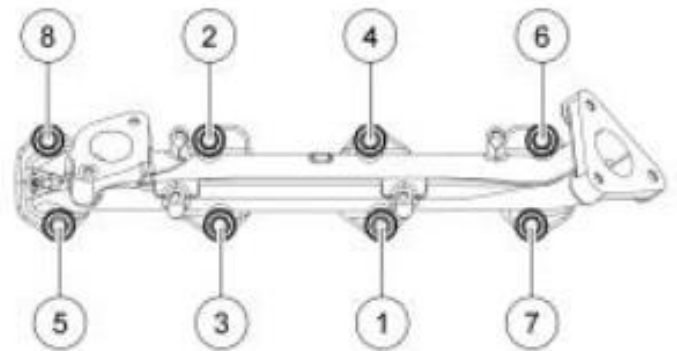
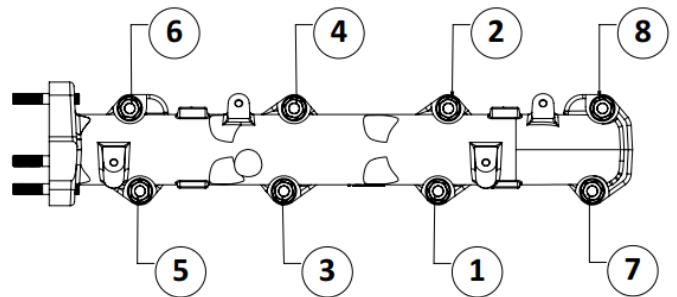
Do not lubricate the threads.

Stage 1: **13 ft-lbs (159 in-lbs) dry.**

Stage 2: **18 ft-lbs (216 in-lbs) dry.**

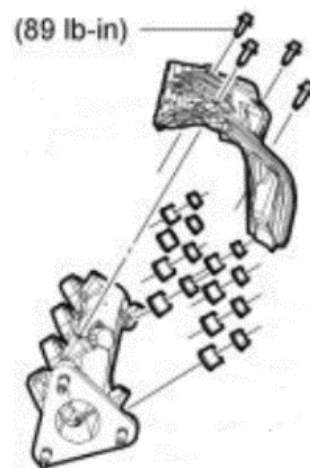
Stage 3: **Repeat 18 ft-lbs (216 in-lbs) dry.**

IMPORTANT!!! Do not over-torque the stud. Between stage 1 and stage 3 torque steps the nut should not rotate more than **90 degrees**. If the stud has started to yield, the stud and nut must be replaced.



Install both heat shields.

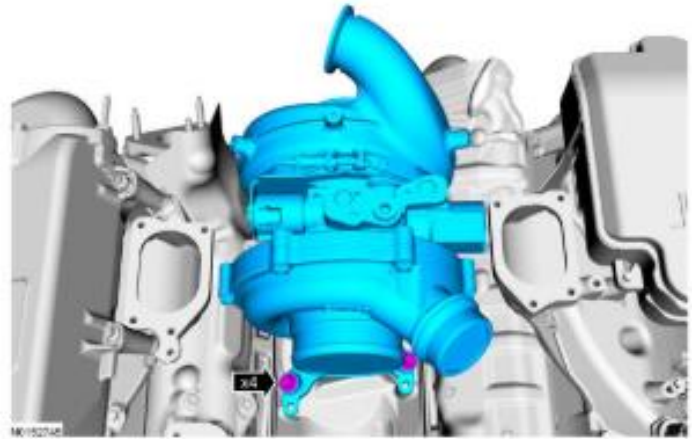
Torque to **7.4 ft-lbs (89 in-lbs)**.



Install the turbocharger and tighten the fastening bolts in the following sequence:

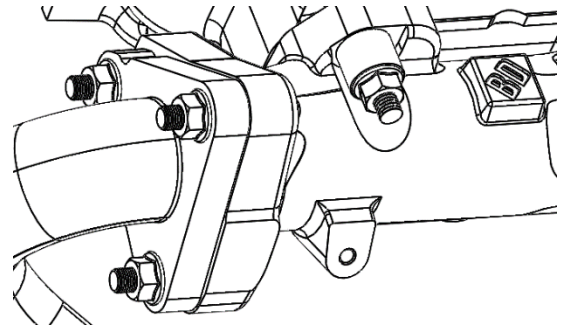
Stage 1: **11 ft-lbs**

Stage 2: **41 ft-lbs**



Install the cross over pipe gasket (**BC3Z-6N640-A**) and cross over pipe using the supplied flange lock nuts (**FT-11508940**).

Torque nuts to **12 ft-lbs (144 in-lbs)**.



Install the manifold to EGR gasket (**BC3Z-9E464-E**) to the EGR tube.

Torque nuts to **89 in-lbs**.



California Customers EO Decal Installation

Install the supplied CARB EO decal under the hood next to the vehicles emissions sticker as shown in the graphic for applicable models listed below. Please check your vehicle emissions control information (VECI) label for the test group or engine family.

Important: Do NOT install this decal on vehicles other than those listed below. Only the test groups or engine families listed are covered under this products EO.

DFMXD06.761A, EFMXD06.761A, CFMXD06.761A, FFMXD06.761B,
GFMXD06.761B, HFMXD06.761B, JFMXD06.761B, KFMXD06.761B,
BFMXD06.761A, BFMXD06.771C, DFMXD06.771C, EFMXD06.771C,
FFMXD06.771D, GFMXD06.771D, HFMXD06.771D, JFMXD06.771D,
KFMXD06.771D, CFMXD06.771C

